

**INSIGHT  
TECHNOLOGY  
INCORPORATED**

## **U.S. Military Infrared Aiming Light AN/PAQ-4C**



- **US Military & Standard**
- **Compact**
- **Lightweight**
- **0.3 mrad beam divergence**
- **Uses universally available AA batteries**
- **Rapid zeroing with present zero and precise borelight adjusters**
- **Off-axis visual security**
- **Mounts to all US Military individual and crew served weapons**
- **NSN-5855-01-398-4315**

### *The world's Finest*

The AN/PAQ-4C incorporates lessons learned with Aiming Lights in Desert Storm, other combat operations and extensive field operation, plus production experience. Over 20,400 Aiming Lights were produced in 1993-1996 and 40,000 were produced in 1996-1999. The result is an easy mount, quick to zero Aiming Light with beam quality and range unmatched in any eye safe device\*.

### *Operations*

The AN/PAQ-4C provides a rapid, accurate aim point for personnel engaged in Night Operations. The AN/PAQ-4C does this by projecting a highly collimated (0.3 mr) laser beam invisible to the eye but readily seen with Night Vision Goggles. Once boresighted to a weapon, the operator simply puts the laser

beam on the target and fires. The AN/PAQ-4C has a range of 1,000 meters, accuracy equivalent to the finest optical sights, and ease and rapidity of aiming unequaled in any conventional sight.

### *Performance*

The Insight Technology, Inc. AN/PAQ-4C incorporates an advanced IR Laser Diode and state-of-the-art lens elements in a unique optical design to produce a defraction limited beam and distinct aim spot.

### *Rapid Boresighting*

The AN/PAQ-4C incorporates a preset zero setting (neutral position), at which the laser beam is in precise alignment with the unit's mounting surface. This, combined with the precision M16 Mounting Bracket, enables the AN/PAQ-4C to be nearly zeroed when first mounted to the weapon.

---

Users are warned not to look into the Laser Beam. Insight Technology does not consider any laser to be eye safe for direct viewing even if output power meets established criteria for Class I eye safe laser. The AN/PAQ-4C is a Class I eye safe laser product.

# Specifications

Highly accurate azimuth and elevation adjusters enables fine zero adjustment. The combination of preset zero and accurate adjusters enables precise zeroing to be established by firing only a single 3 round shot group.

### Visual Security

Advanced optical design and unique optical baffle preclude the AN/PAQ-4C beam from being seen at off-axis angles greater than 6 degrees by enemy forces equipped with Night Vision Devices.

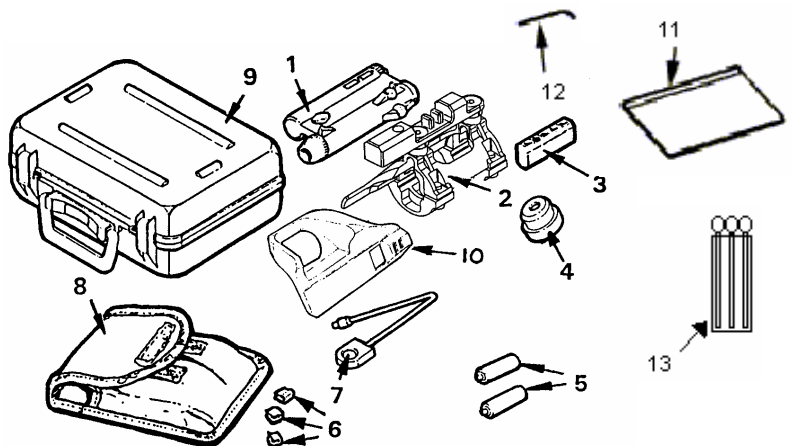
### Features

The AN/PAQ-4C is the world's smallest and lightest military standard Aiming Light. Activation of the AN/PAQ-4C is by means of an integral switch with momentary and full on positions, or by a remote push-button switch. The AN/PAQ-4C meets the most stringent military environmental specifications. In addition, units certified to withstand immersion in 100 feet of water are also available.

Beam Divergence	0.3 mr
Output Power	0.7 mW
Modulation	Cw
Visual Security	+/- 6 degrees
Peak Wavelength	830 nm +20/-10 nm
Weight	125 Grams
Input Current	50 mA (max)
Reverse Polarity Protection	Yes
Battery Type	Two AA size Alkaline
Operations Temperature	-54C to +71C
Environmental	Meets full Military Specifications
Shock and Vibration	Meets full Military Specifications
EMI/EMC	Meets full Military Specifications
Reliability	
Predicted	1,000,000 MCBF
Tested	250,000 MCBF
Mounting:	
M16A1 & A2	M16 Bracket
M16/M203	M16 Bracket
M60, M2, M67, M72	Mounting Foot
M249	M249 Bracket
M4	M4 Bracket
Other Weapon Mounts Available on Request	MIL -STD - 1913 Rail Interface

### AN/PAQ-4C Small Government Order 4C000C

Item	QTY	Description
1	1	4C Unit Assembly
2	1	M4/M16A2 Bracket Assembly
3	1	Foot, PVS-4
4	1	Boresighting Filter Assembly
5	2	Battery, Alkaline, 1.5 Volt
6	1	Clip Assembly
7	1	Remote Switch Assembly
8	1	Carry Bag
9	1	Case Assembly with Foam Insert
10	1	Shroud Switch Lever
11	1	Manual
12	1	Wrench
13	1	Swabs, Kit of 5 Assembly



The AN/PAQ-4C is currently available to DOD and agencies with DOD exemption status. Export of this product is regulated by the US Department of State in accordance with guidelines of "International Traffic in Arms Regulations (ITAR)" per Title 22, Code of Federal Regulations, Parts 121-128. Copyright 1998 Insight Technology, Incorporated. Specifications subject to change without notice.



3 Technology Drive, Londonderry, NH 03053  
Phone 603-626-4800 / Fax 603-647-7234